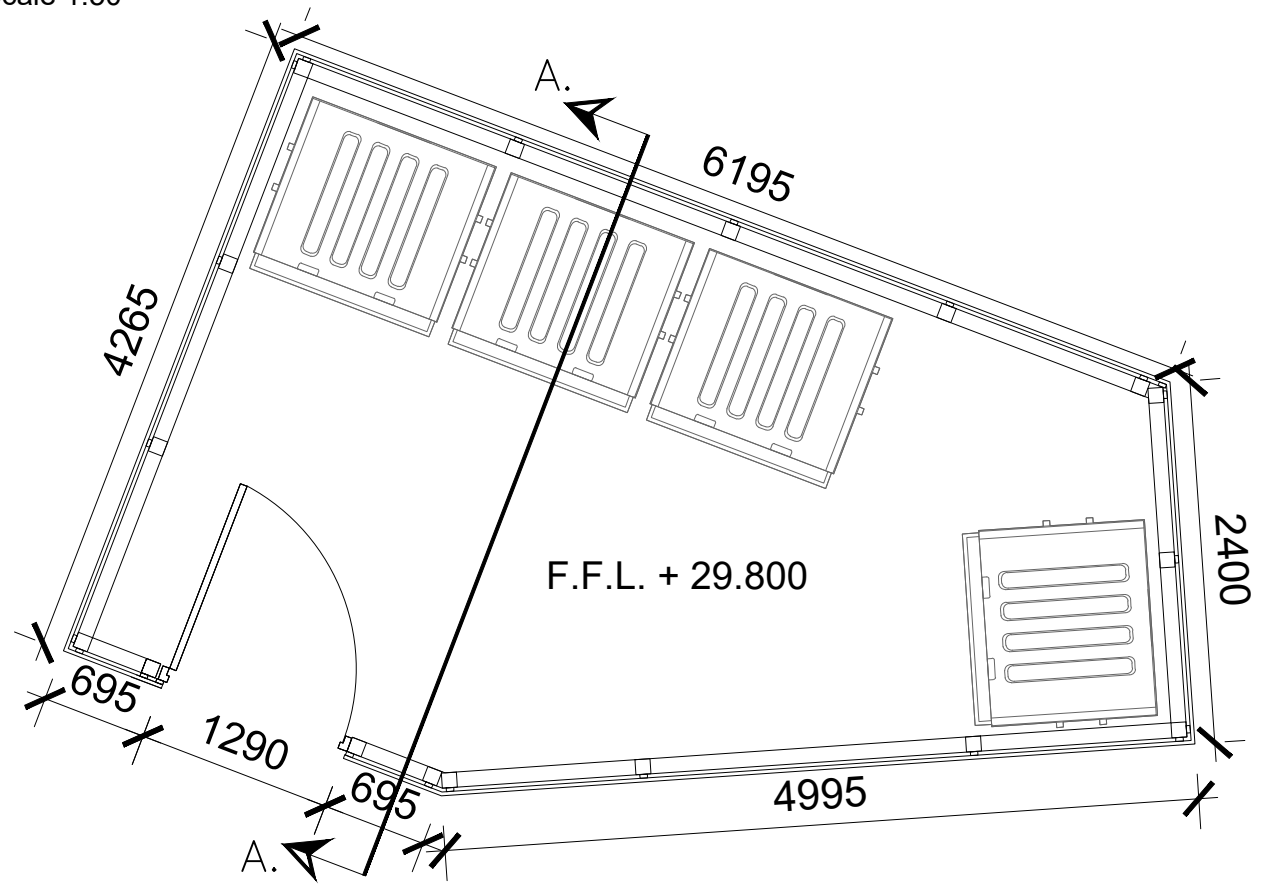
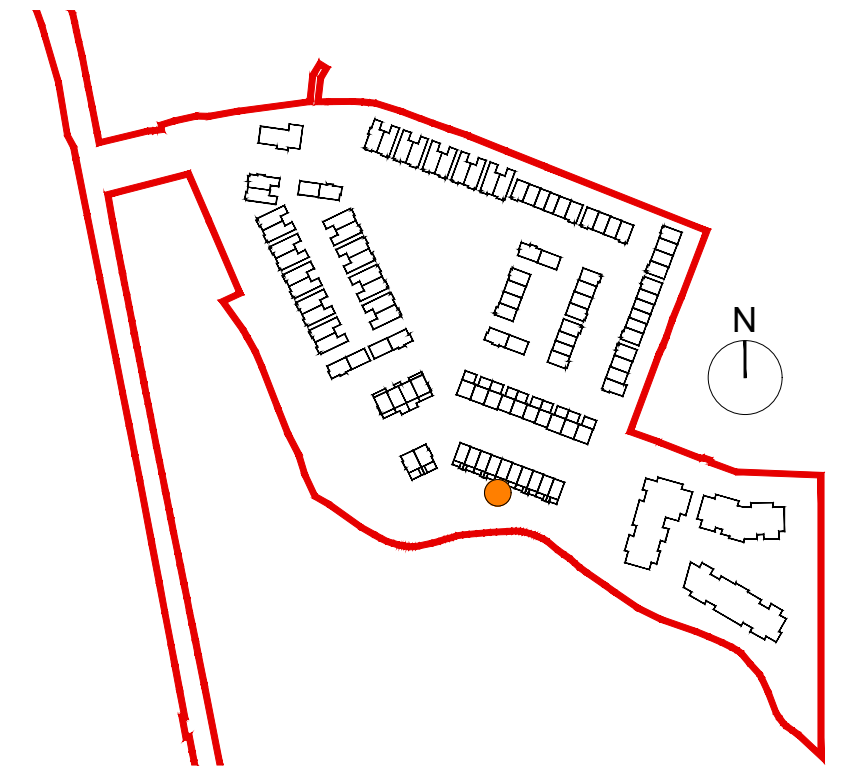
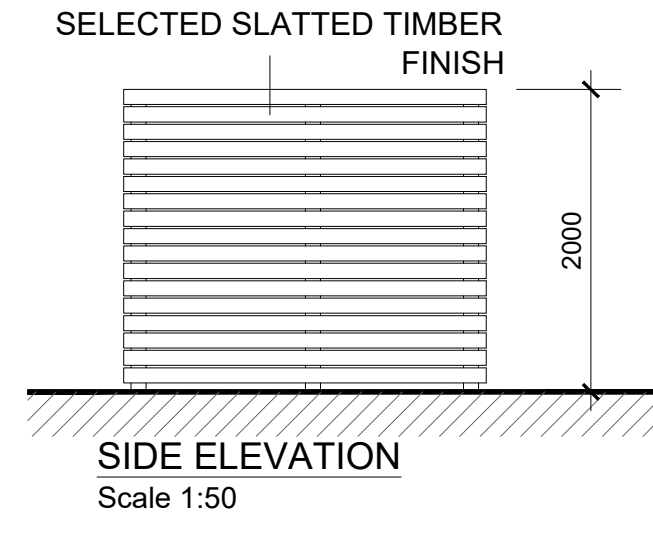
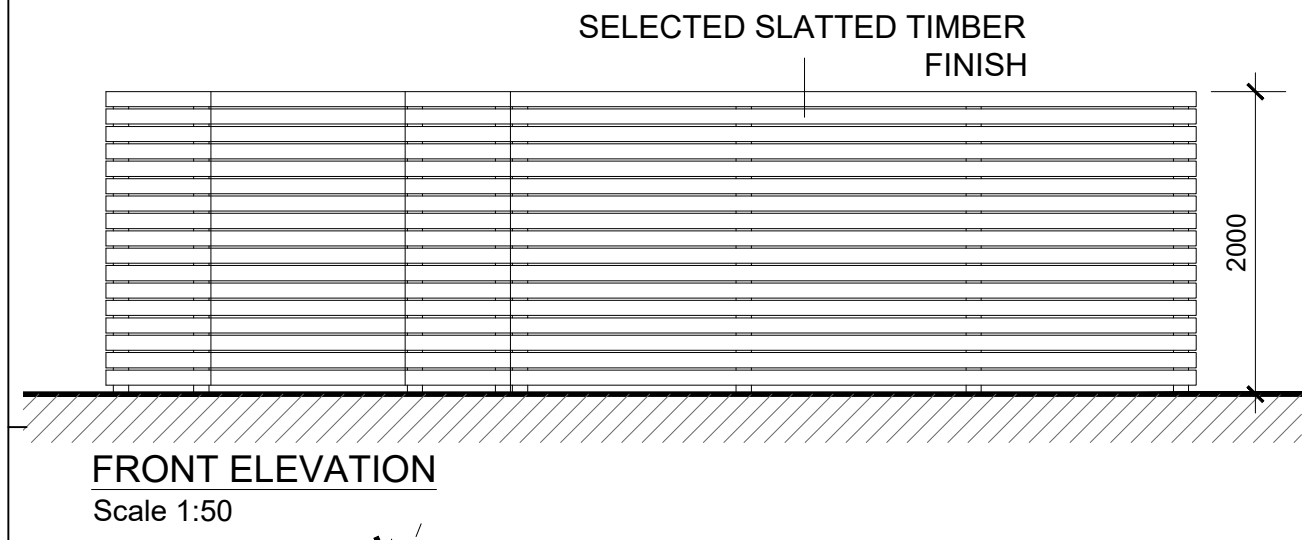
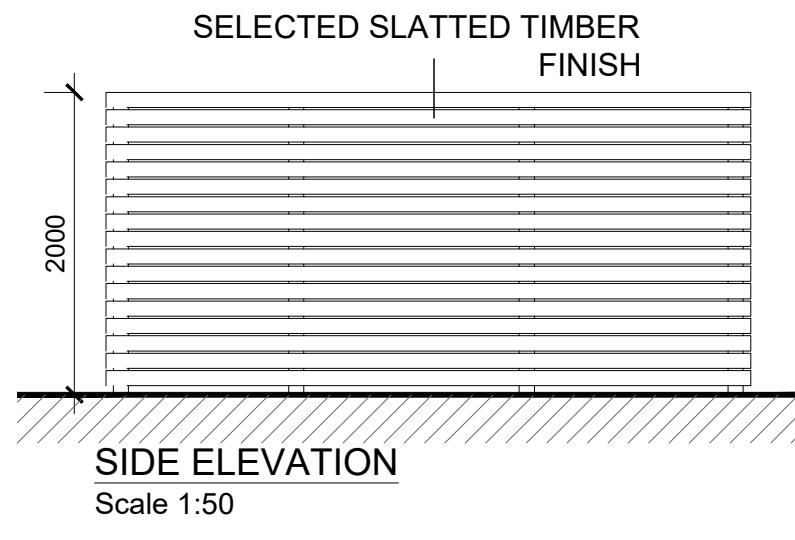
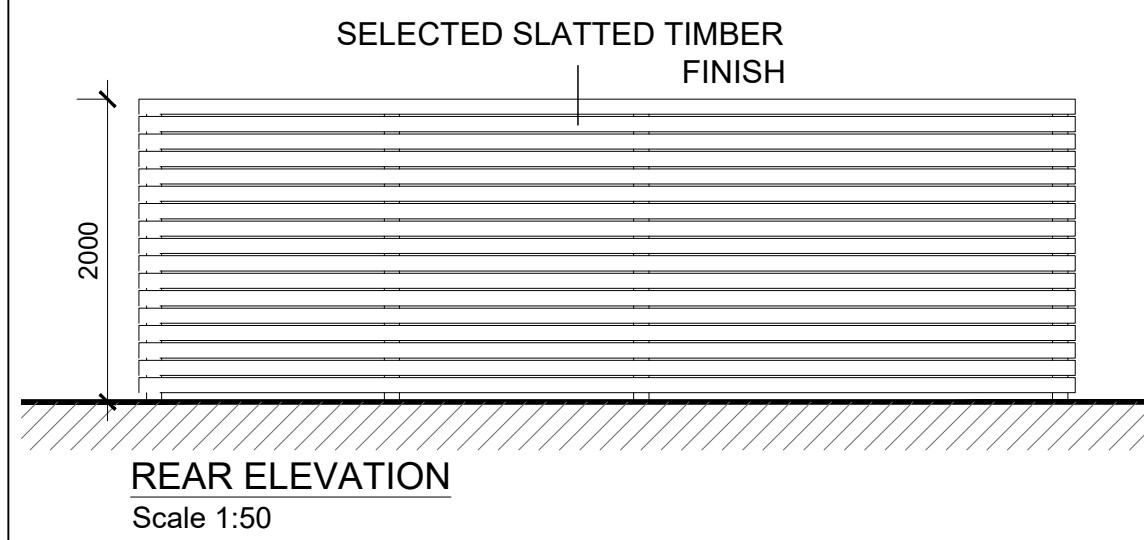
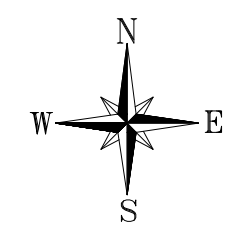
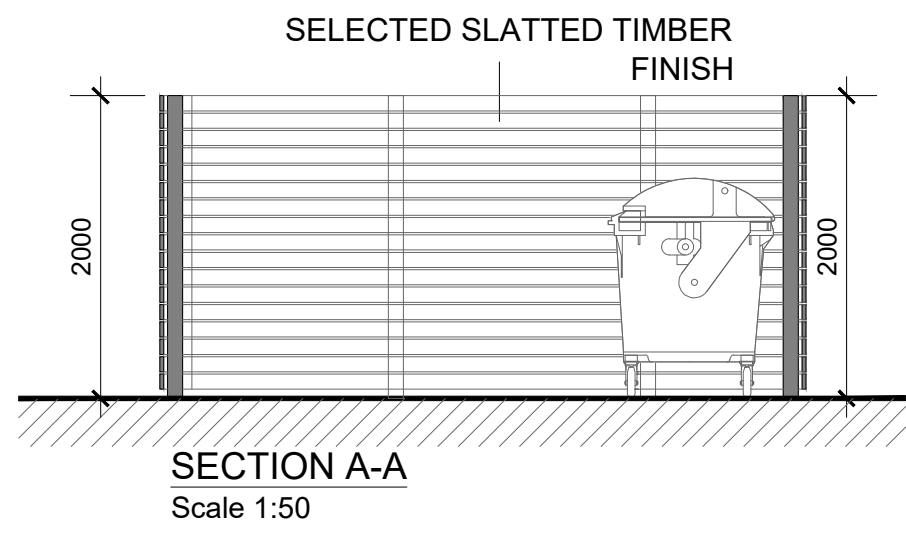


DO NOT SCALE. WORK TO FIGURED DIMENSIONS ONLY.
 ALL EXISTING DIMENSIONS TO BE CHECKED ON SITE.
 DRAWN ON AUTOCAD R2004 AT DEADY GAHAN ARCHITECTS LTD
 LAYERS ON THIS DRAWING COMPLY WITH BS 1192: PART 5

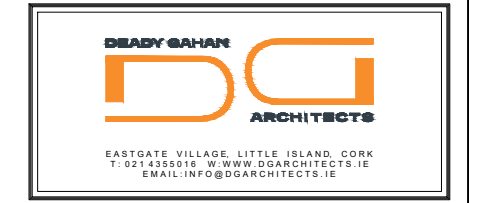


PROPOSED BIN STORE TYPE B
 SCALE 1:50 @ A3



BIN STORE
 SAMPLE IMAGE (SLATTED TIMBER FINISH)

date	rev	name	chk	note
24.04.24	P1	MP	EJG	ISSUE FOR PLANNING



Project
 PROPOSED RESIDENTIAL DEVELOPMENT
 AT PORT ROAD, KILLARNEY, CO. KERRY

Drawing title			
PROPOSED TYPICAL BIN STORE			
TYPE B			
Scale	Drawn	Checked	Date
1:50 @A3	PC	EJG	09.08.21
Project No.	Dwg. No.	Revision	
23049	23049/P/011B	P1	
Information / Comments			Tender
Planning			Construction